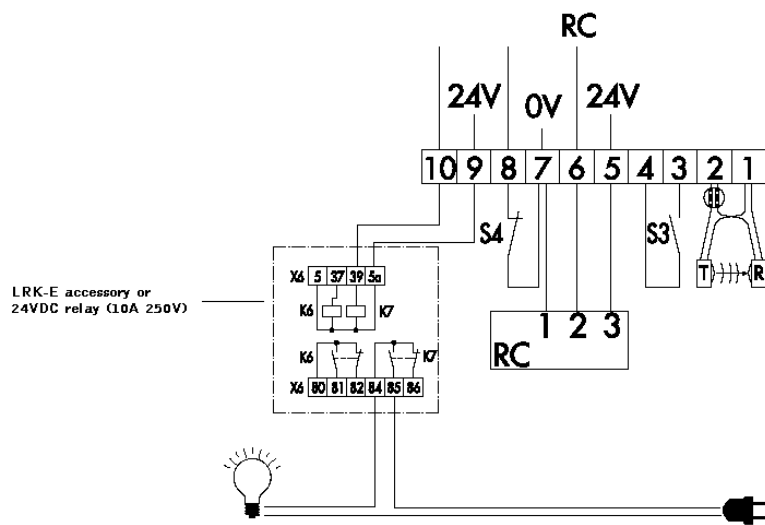


Wiring diagram external Signal Light  
with LRK-E light relay kit



## Wiring instructions LR-din

Art. Nr. 540065345

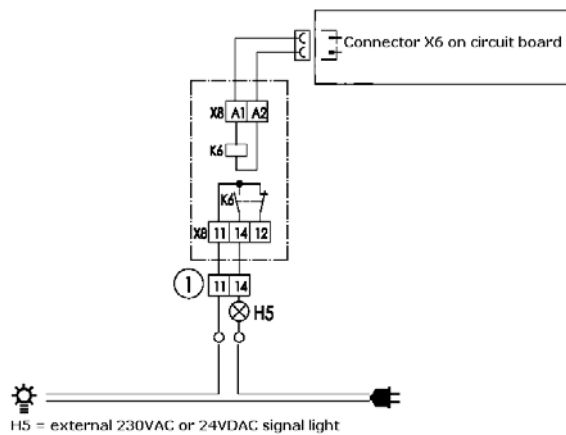
- 1: Remove motor cover and install relay onto chassis



- 2: Drill hole into chassis to bring cable with screw terminal outside



- 3: Connect relay to circuit board



- X3d = Connector relay to X6 on circuit board
- X6 = Connector on circuit board
- H5 = External signal light
- K6 = Relays

# Internal Relay retrofit kit KSX/Y-series 2009

Installation Sheet model IRK-01

Art. 540080102



### Step 1

Remove motor cover and carefully slide relay board out of chassis. Note: The relay board is locked in right bottom corner by pin.



### Step 2

Connect relay cable plug onto middle 2 of circuit the 6 free pins.

See Owners & Installation Manual Circuit small chapter 9.1 for further explanation



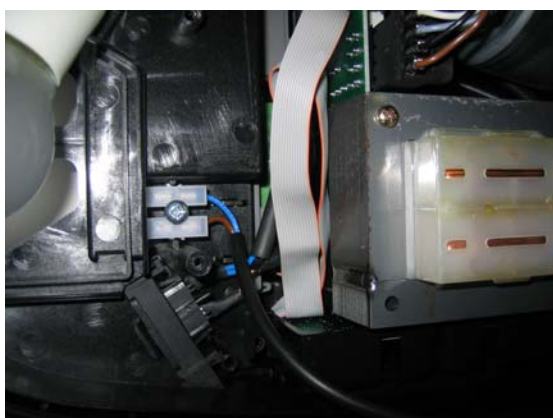
### Step 3

Install cable as shown X7



### Step 4

Location for internal relay



### Step 5

Install wire terminal block as shown

### REMARKS:

When **external light** has to be switched on with doro operator relay, please use relay to sent impulse to external timer and set door operator menu 18 at Value 4.

When **external warning light** is to be connected please set Menu 18 at value 1 are 2.

When **external magnetic lock** is to be connected please set Menu 18 at value 1 and Menu 16 at value 2 (1 sec. start-up warning).

Copyright

No part of this manual may be reproduced without prior approval. Subject to alterations in the interests of technical progress.