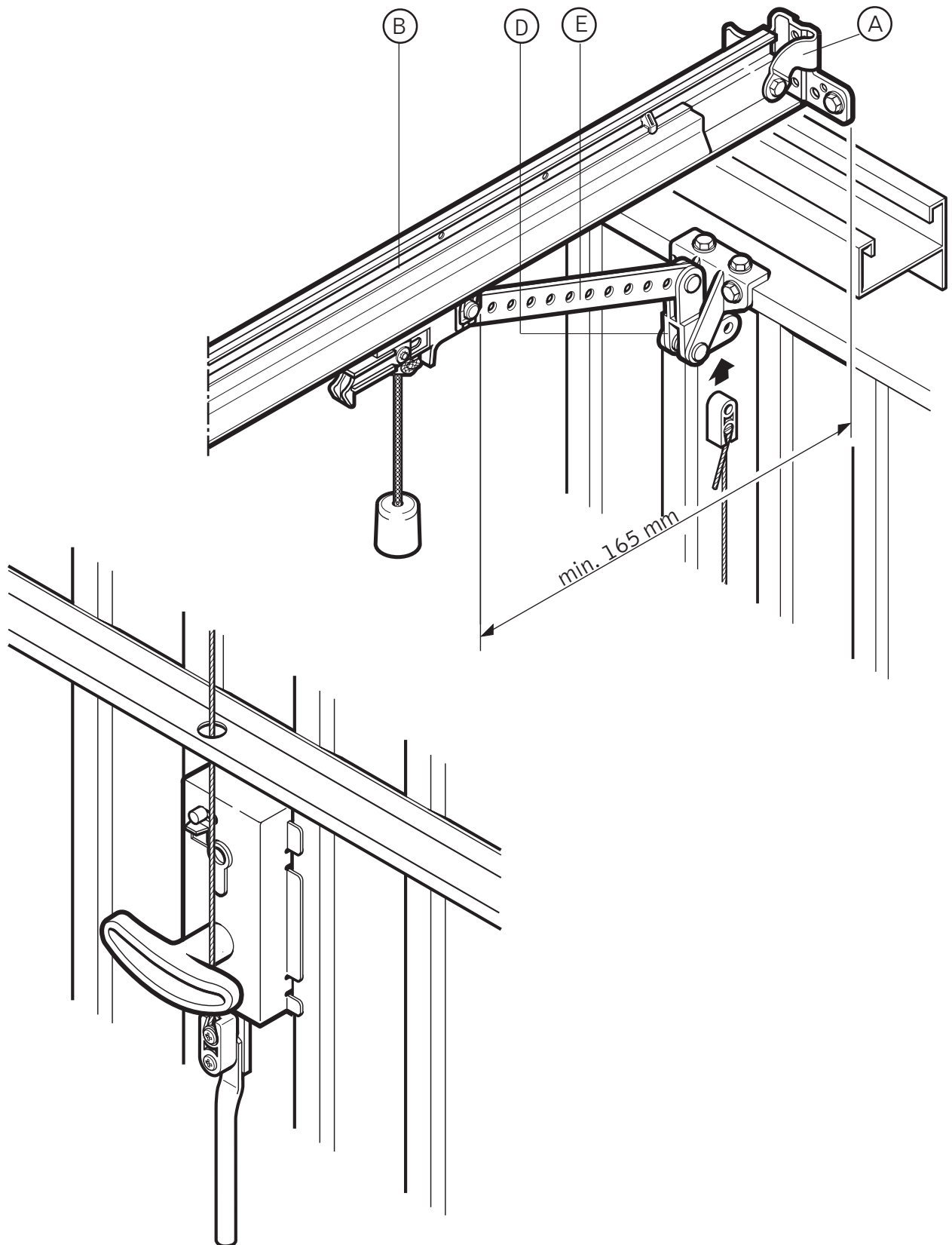
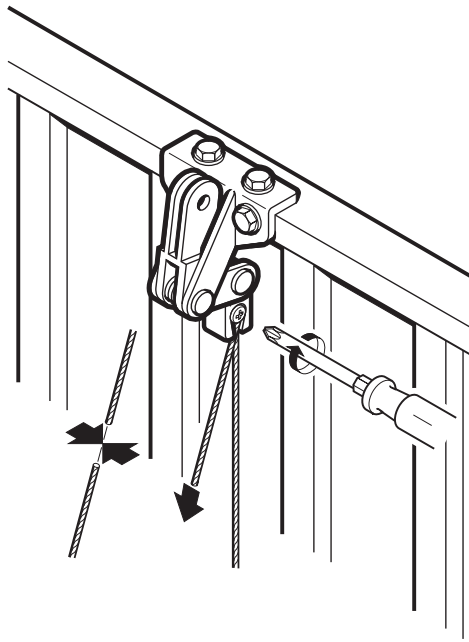


Kingstar

KS - 202





Screw lintel bracket (A) with boom (B) to the top part of the door frame (observe specified measurement), and elbow lever (D) to the top edge of the door (drill 5 mm dia.). Connect the door link (E) to the carriage and elbow lever. If the on-site installation situation does not allow a minimum distance of 165 mm to be adhered to, an extended door link must be used. Fasten the release cable to the locking rod and the cable grip to the elbow lever. Adjust the length of the cable with slight slack and shorten accordingly.

Changes reserved!