

GB:



Attention!

New Series II circuit board with different programming settings.
Please read the Installation Manual carefully!

NL:



Attentie!

Nieuwe Serie II elektronica met verschillende programmeer instellingen.
Lees de gebruikershandleiding aandachtig.

F:



Attention!

Nouvelle électronique Série II avec des réglages de programmation différents.
Veuillez lire attentivement le manuel d'installation

E:



¡Atención!

Cuadro electrónico Nueva Serie II con diferentes opciones de programación.
¡Por favor lean con atención los Manuales de Instalación!

I:



Attenzione!

Nuova serie II circuito con funzioni di programmazione diverse.
Per favore leggere attentamente il Manuale d'installazione.

D:



Achtung!

Neue Platine Serie II mit anderen Programmierungseinstellungen.
Bitte lesen Sie die Installationsanleitung sorgfältig!

S:



Observera!

Ny modell II. Med ändrade programmerings inställningar.
Vänligen läs instruktionerna noggrant.

N:

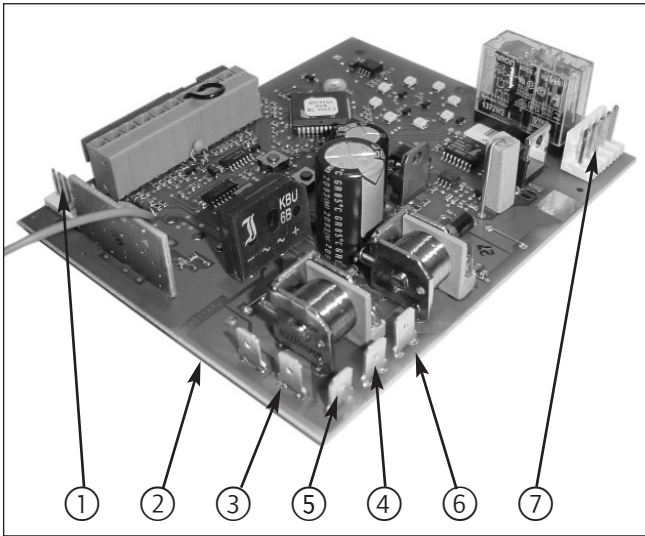


NB!

Ny serie kretskort med annerledes programering.
Vennligst les manualen noye.

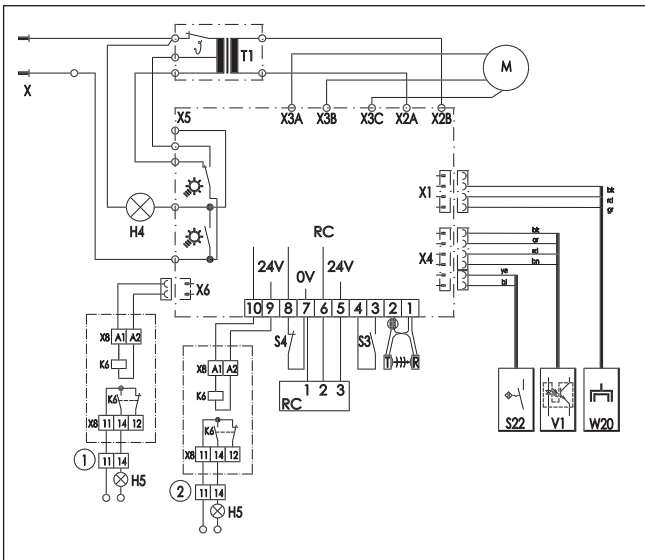
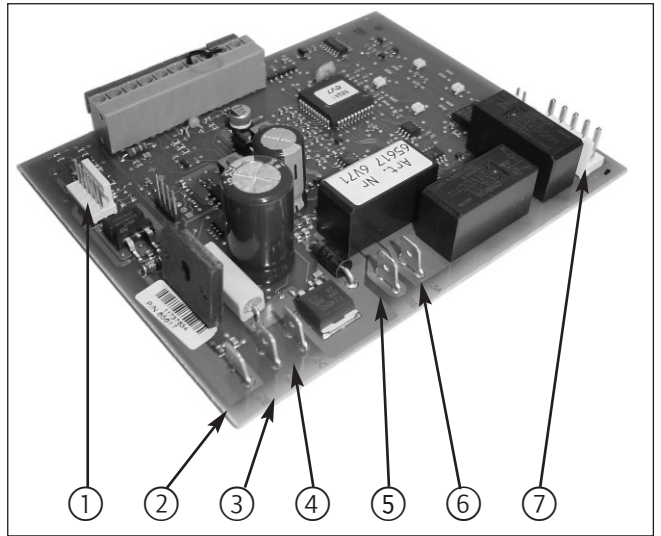
LEFT:

Prior to October 2003 circuit board
Art. nrs. 48106 or 8051215



RIGHT:

New Generation II circuit board
Art. nrs. 69309, 69311, 65624, 65631

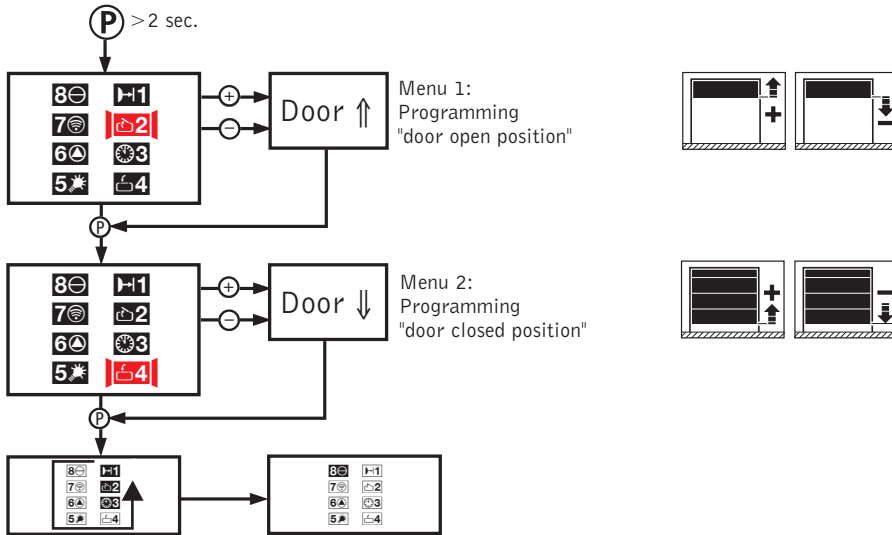


- 1 = X4 = 6 pin connector RPM sensor and reference switch
- 2 = X2B = flat cable connector 24VAC transformer (blue)
- 3 = X2A = flat cable connector 24VAC transformer (brown)
- 4 = X3C = flat cable connector ground (green/yellow)
- 5 = X3B = flat cable connector motor (brown)
- 6 = X3A = flat cable connector motor (green)
- 7 = X5 = 5 pin connector transformer and light

SHORT PROGRAMMING MODEL B & C-NR SERIES II

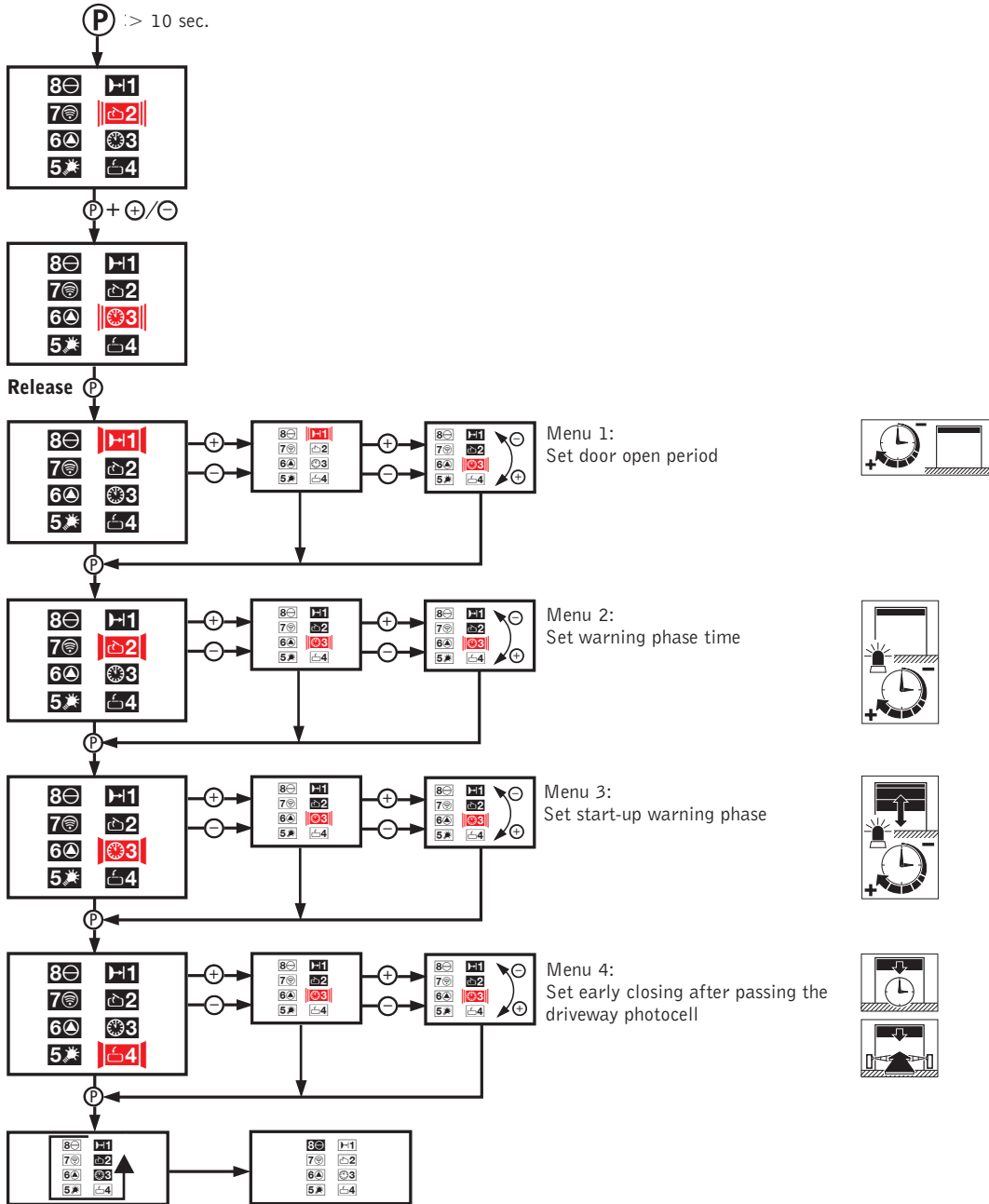
Basic Settings:

Press **P** for 2 sec. until LED **2** blinks and all others are illuminated.



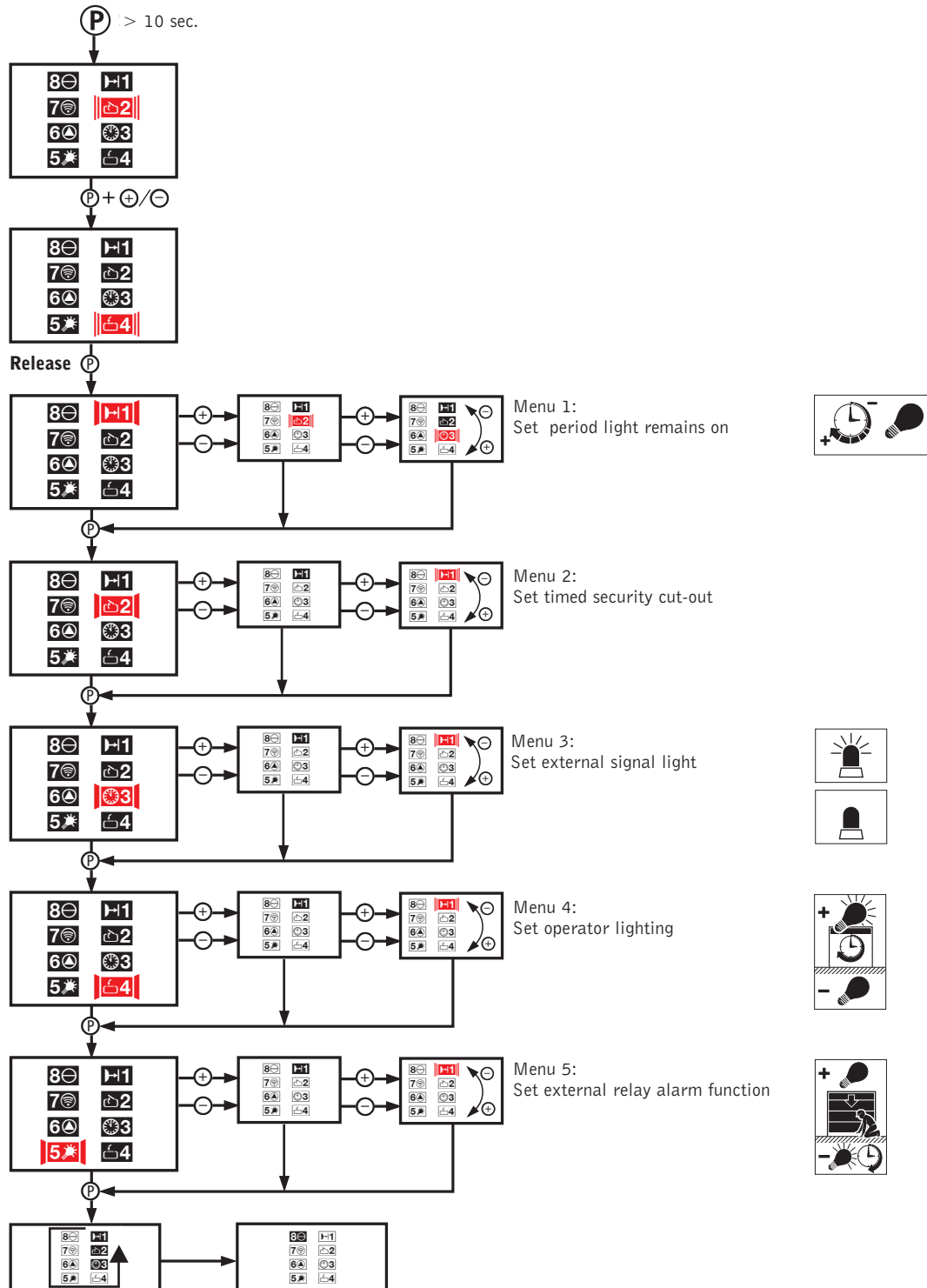
Advanced Settings: Level 3

Press **P** for more than 10 sec. until LED **||LED2||** blinks rapidly and all others are illuminated.
 Hold **P** button and press simultaneously **+** or **-** until; LED **||LED3||** blinks rapidly and all others are illuminated.



Advanced Settings: Level 4

Press **P** for more than 10 sec. until LED **||L2||** blinks rapidly and all others are illuminated.
 Hold **P** button and press simultaneously **+** or **-** until; LED **||L4||** blinks rapidly and all others are illuminated.



GB

Copyright.

No part of this manual may be reproduced without prior approval.
Subject to alterations in the interests of technical progress.