



**GB:**



**Attention!**

New Series II circuit board with different programming settings.  
Please read the Installation Manual carefully!

**NL:**



**Attentie!**

Nieuwe Serie II elektronica met verschillende programmeer instellingen.  
Lees de gebruikershandleiding aandachtig.

**F:**



**Attention!**

Nouvelle électronique Série II avec des réglages de programmation différents.  
Veuillez lire attentivement le manuel d'installation

**E:**



**¡Atención!**

Cuadro electrónico Nueva Serie II con diferentes opciones de programación.  
¡Por favor lean con atención los Manuales de Instalación!

**I:**



**Attenzione!**

Nuova serie II circuito con funzioni di programmazione diverse.  
Per favore leggere attentamente il Manuale d'installazione.

**D:**



**Achtung!**

Neue Platine Serie II mit anderen Programmierungseinstellungen.  
Bitte lesen Sie die Installationsanleitung sorgfältig!

**S:**



**Observera!**

Ny modell II. Med ändrade programmerings inställningar.  
Vänligen läs instruktionerna noggrant.

**N:**

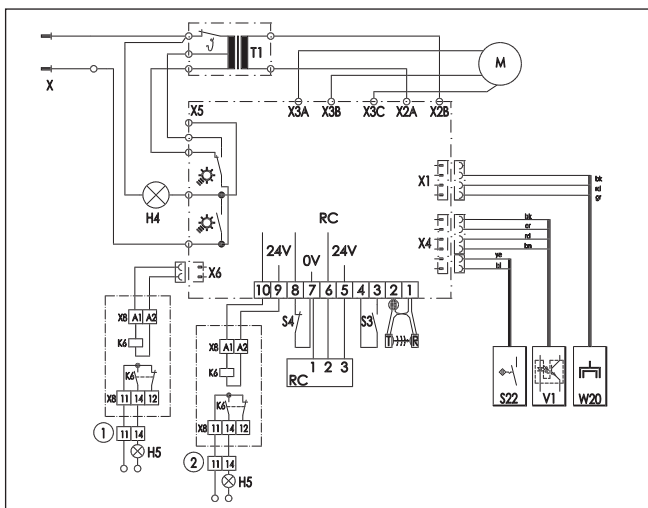
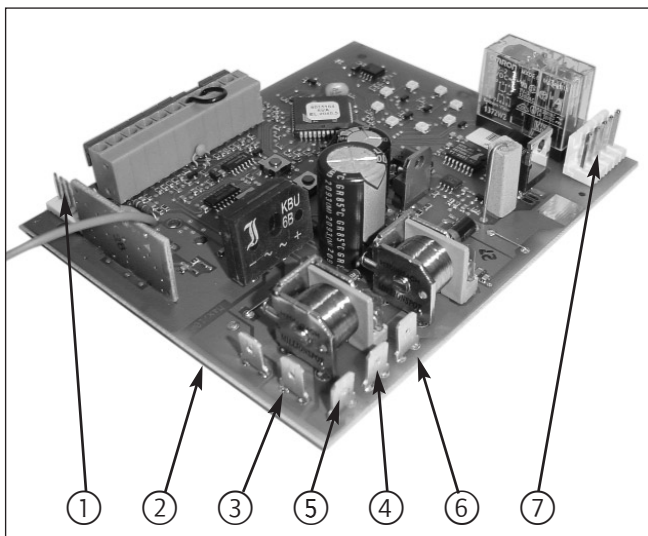


**NB!**

Ny serie kretskort med annerledes programering.  
Vennligst les manualen noye.

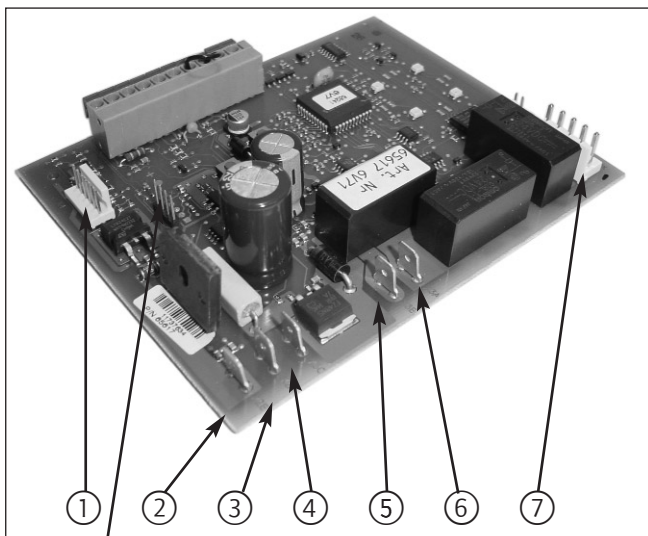
**LEFT:**

Prior to October 2003 circuit board  
with on-board 433MHz. receiver  
Art. nrs. 8050931



**RIGHT:**

New Generation II circuit board  
without on-board receiver.  
Art. nrs. 65308

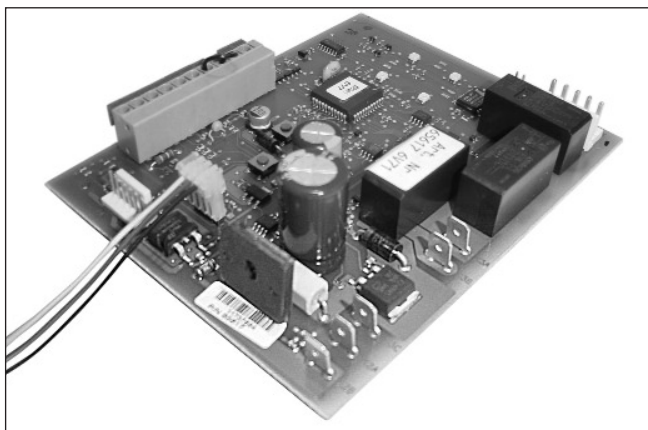


X1 = Receiver module connector

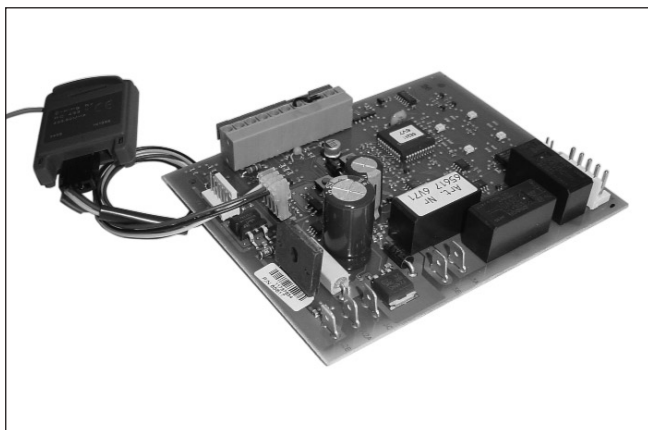
- 1 = X4 = 6 pin connector RPM sensor and reference switch
- 2 = X2B = flat cable connector 24VAC transformer (blue)
- 3 = X2A = flat cable connector 24VAC transformer (brown)
- 4 = X3C = flat cable connector ground (green/yellow)
- 5 = X3B = flat cable connector motor (brown)
- 6 = X3A = flat cable connector motor (green)
- 7 = X5 = 5 pin connector transformer and light

**Connect receiver module to connector X 1 with provided cable.**

**Note:** Connect receiver cable plug to the "X1" marked circuit board 4 pin connector.  
Pay attention to which direction!  
Place receiver either in its provided slot (if present) or on a secure location under or outside motor head cover.



- Left wire = 1 = green
- Middle wire = 2 = red
- Right wire = 3 = black

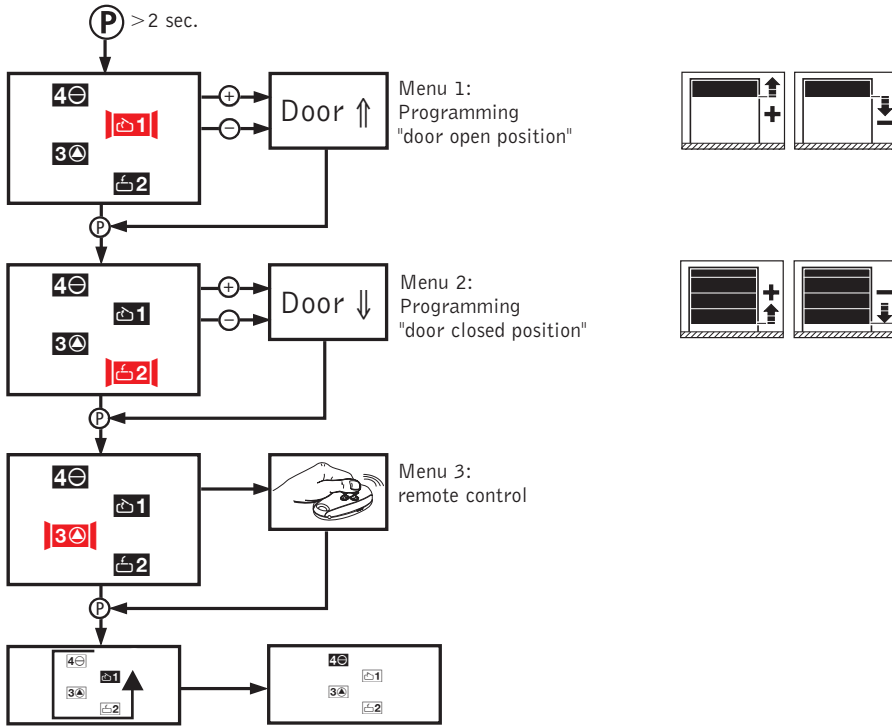


Connect receiver to other side of wire (black connector) and place receiver on safe location.

# SHORT PROGRAMMING MODEL O SERIES II

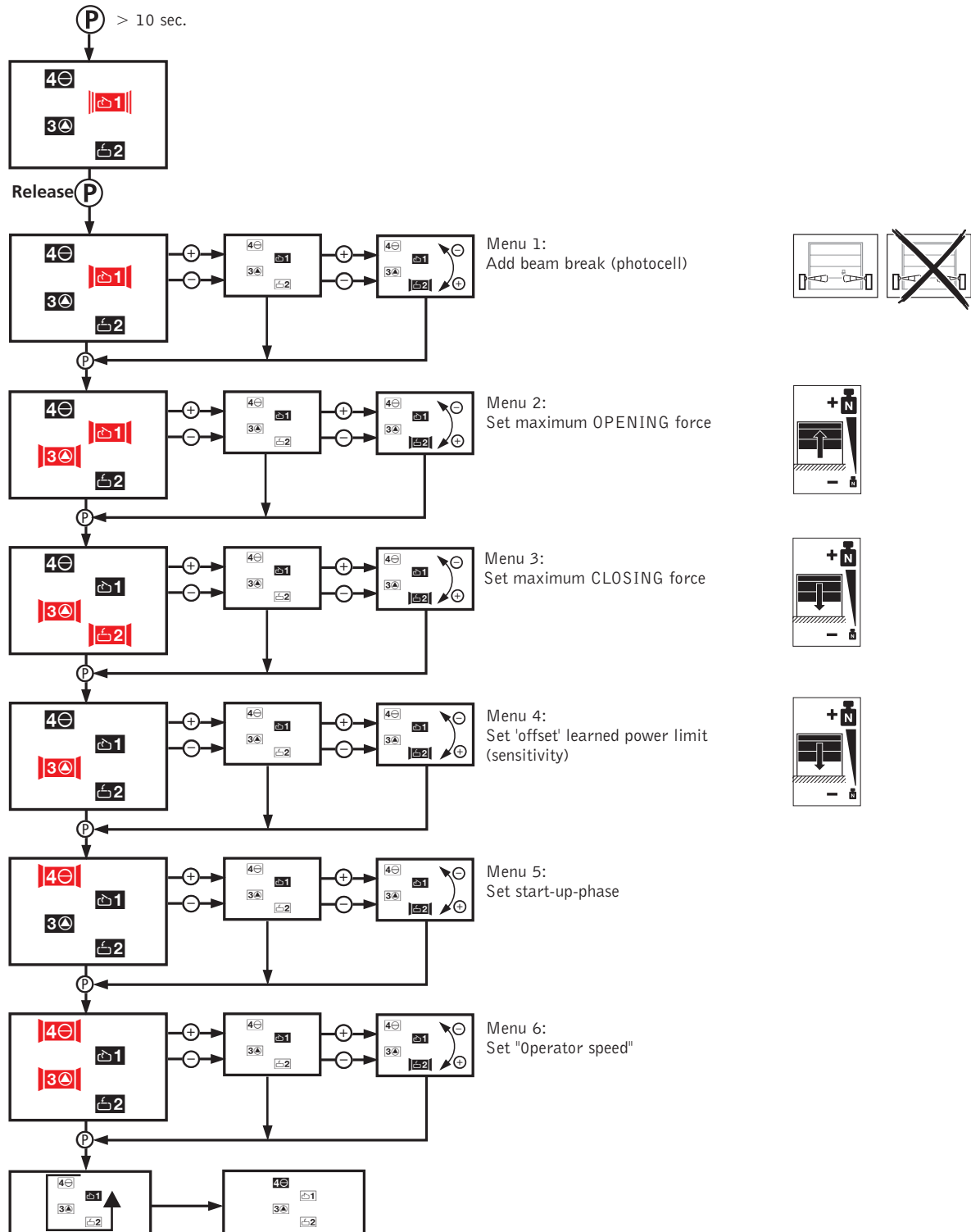
## Basic Settings:

Press **P** for 2 sec. until LED **1** blinks and all others are illuminated.



## Advanced Settings: **Level 2**

Press **P** for more than 10 sec. until LED **1** blinks rapidly and all others are illuminated.







**GB**

**Copyright.**

No part of this manual may be reproduced without prior approval.  
Subject to alterations in the interests of technical progress.