

Operating instructions

Programming the operating mode

The receiver operating mode is programmed by plugging the coding bridge (7) in the appropriate position briefly, then returning it to "operative" position.

Please note:

If the coding bridge is unplugged for more than 2 seconds, the LED will blink to indicate that the receiver is out of operation. The LED stops blinking as soon as the bridge is plugged back into place.

1. Move coding bridge (7) to the desired operating mode position:

1-4 Normal operation

1-2 Impulse (dead-man's button mode)

4-5 On/Off

3-6 Impulse mode for controlling doors and gates

Command from the hand-held transmitter: short impulse, approximately 1 second

Command from the wireless code key: impulse length is equal to the time the key is pressed down

2. The LED will light up after approx. 2 to 4 seconds. The operating mode has now been programmed.
3. Move the coding bridge back to the **Normal operation** (1-4) setting.

Training receiver to recognize signals

The receiver can learn to recognize a transmitter.

1. Move the coding bridge (7) to the **Training mode** (2-5) position.
2. The LED (5) will blink after 2 to 4 seconds to indicate that the receiver is now ready for training.
3. Operate the transmitter.
When the LED lights up, the receiver has learned the transmitter's code.
4. Move the coding bridge back to the **Normal operation** (1-4) setting.

Cleaning

Wipe the casing carefully with a damp, lint-free cloth.

Caution:

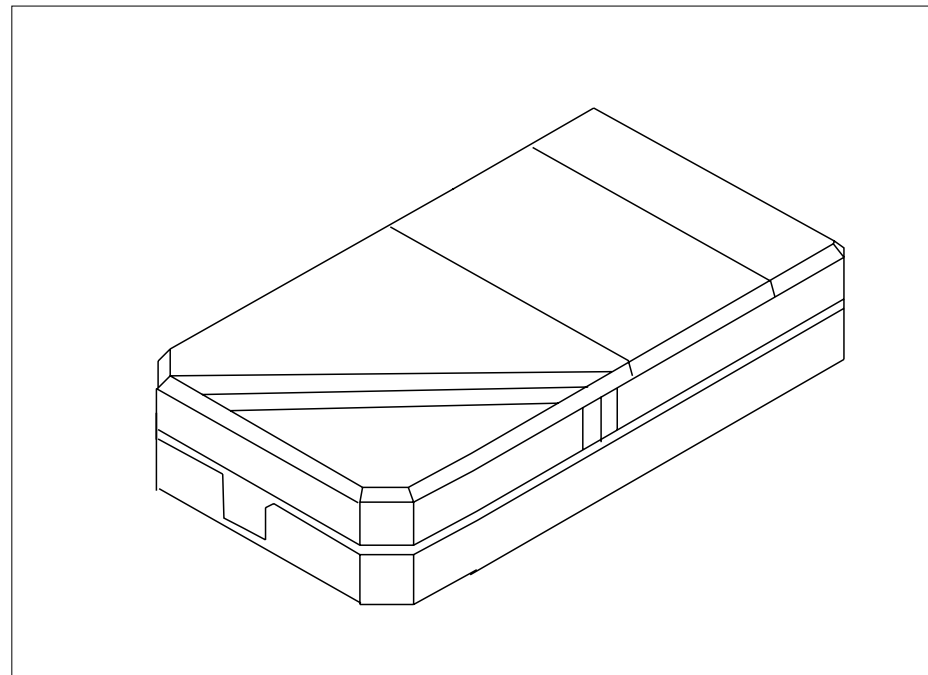
Do not use cleansing agents containing organic solvents. These are dangerous to health and may damage the surface of the casing.

Disposal of used equipment

The product contains electronic components which must be disposed of as electronics scrap. The casing and the mounting bracket are made of a plastic (ABS) which is suitable for recycling. Do not discard used equipment in household garbage!

Specifications

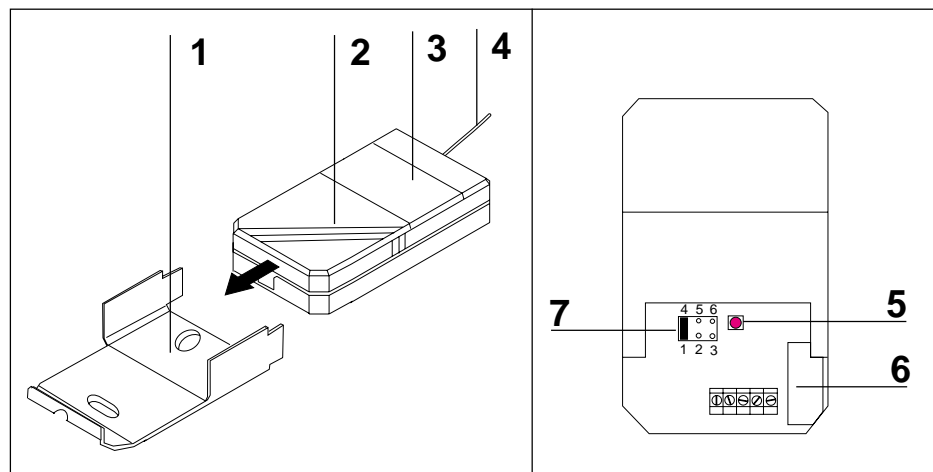
Functions	Impulse (dead-man's button mode) On/Off Impulse mode for controlling doors and gates
Power supply	12 ... 24 V dc or ac
Current drawn	max. 65 mA
maximum contact load	30 V, 5 A
Temperature range	-20°C ... +60°C
Weight	approx. 100 g



433-ERX

Receiver

Operating instructions



Delivery package	Equipment
Digital receiver	1 Mounting bracket
Operating instructions	2 Cover
Mounting bracket	3 Receiver
Fasten material	4 Antenna
	5 LED
	6 Relay
	7 Coding bridge

Safety instructions

Before connecting and operating the device, please read these operating instructions carefully!

- The device can only be used as a receiver!
- The device may only be installed, connected and commissioned by qualified and properly trained personnel!
- When installing, be sure to comply with all applicable electrical engineering regulations!
- At regular intervals, check that the device is ready and able to receive control signals!
- If the device is out of order, get it checked and repaired by the manufacturer.
- Do not make any modifications to the receiver.

Use as intended

The receiver may only be used in conjunction with low-voltage loads!

Reception interference

Reception performance can be impaired by various factors:

- unfavourable location, of the transmitter used
 - electrical devices with inadequate interference emission suppression
 - another transmitter operating in the same frequency range, weather conditions, etc.
- If you encounter problems or if the receiver develops a fault, contact a qualified service company or the manufacturer.

Description of the receiver functions

Universally usable 1-channel wireless receiver. The channel can be programmed for various operating modes (functions).
The receiver can be trained to recognize transmitter codes.
Low-power, low-voltage loads with a maximum of 30 V, 5 A may be connected to the receiver.

Unpacking the equipment



Take all the parts delivered out of the packaging and check that the delivery is complete.

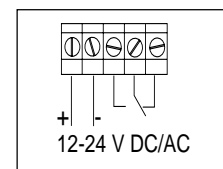
Dispose of the packaging material appropriately. Wherever possible, dispose of cardboard, paper and plastics separately to facilitate recycling.

Connecting the receiver

Installation location

- Do not install the receiver near ground level or close to metal parts.

Mounting



1. Mount the mounting bracket (1) securely on a sturdy surface.
2. Pull the connecting cable through the opening of the mounting bracket.
3. Connect the receiver according to the circuit diagram :
4. Push the receiver (3) onto the mounting bracket.

Please note:

After you have programmed the receiver, you must push the cover onto the receiver in order to close it.

Checking operation

After the power has been switched on, the LED (5) will light up for approximately 1 second. Now check the receiver functions:

1. Transmit a signal to the receiver.
2. The LED should blink rapidly.

The receiver is now ready for use.

Antenna cable

The antenna cable (4) must be laid without slack.

If necessary, use suitable cable holders.